

TECHNICAL GASES

13052.1

WALL MOUNTED TAP 45° NOZZLE WITH INCLINED HANDLE

APPLICATION:

- Wall mounting
- Vertical mounting

DETAILS:

- Test pressure: 9 Bars/air
- Max working pressure: 10 Bars

SURFACE PROTECTION:

- Epoxy powder coating RAL 7035

MATERIALS:

- Brass
- Handle in PP

HEADWORK SEALING:

- PTFE temperature working range: 0 - 100°

CONNECTION TAP:

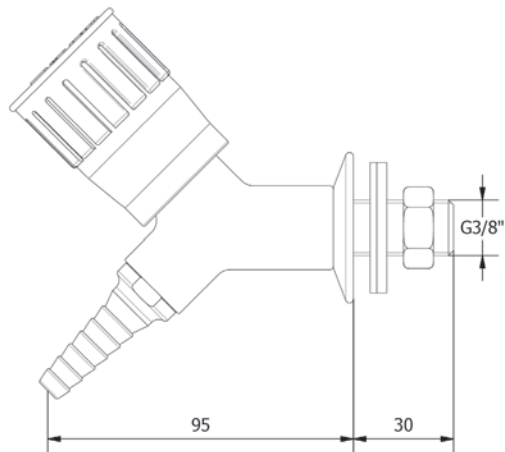
- Male thread G3/8" or G1/2"

STANDARD AND NORMS:

- EN13792:2000
- DIN12898
- DIN12918
- ISO228/1

OPTIONS:

- With chemical nickel plating 17 microns inside



WEIGHT:

- 589 gr

WARRANTY 2 YEARS