

# TECHNICAL GASES

# 13050.1

## STRAIGHT TAP

### APPLICATION:

- Wall mounting
- Vertical mounting

### DETAILS:

- Test pressure: 9 Bars/air
- Max working pressure: 10 Bars

### SURFACE PROTECTION:

- Epoxy powder coating RAL 7035

### MATERIALS:

- Brass
- Handle in PP

### HEADWORK SEALING:

- PTFE temperature working range: 0 - 100°

### CONNECTION TAP:

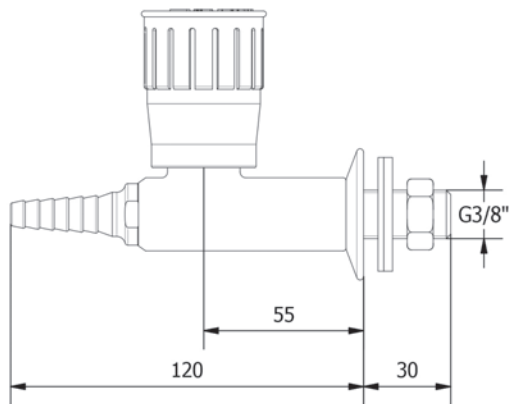
- Male thread G3/8" or G1/2"

### STANDARD AND NORMS:

- EN13792:2000
- DIN12898
- DIN12918
- ISO228/1

### OPTIONS:

- With chemical nickel plating 17 microns inside



### WEIGHT:

- 641 gr

WARRANTY 2 YEARS