

BURNING GASES

12011.1

T-STANDOUT 180°

APPLICATION:

- Bench mounting

DETAILS:

- Test pressure: 0,2 Bars/air
- Max working pressure: 0,2 Bars

SURFACE PROTECTION:

- Epoxy powder coating RAL 7035

MATERIALS:

- Brass
- Handle in PP

HEADWORK SEALING:

- CERAMIC and Nitrile

CONNECTION TAP:

- Male thread G3/8" or G1/2"

STANDARD AND NORMS:

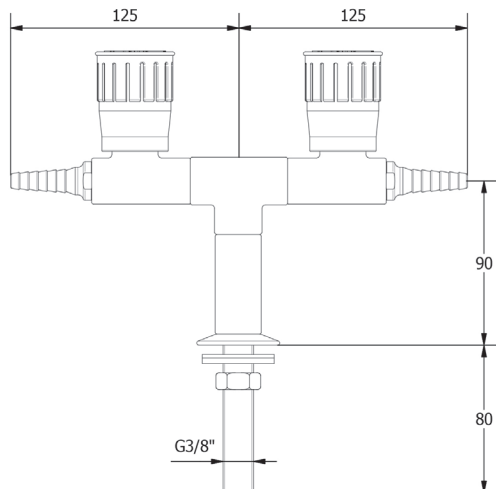
- EN13792:2000
- DIN12898
- DIN12918
- ISO228/1

OPTIONS:

- With chemical nickel plating 17 microns inside

WEIGHT:

- 1428 gr



WARRANTY 2 YEARS