

BURNING GASES

12324.1

45° CONNECTION NOZZLE

APPLICATION:

- Wall mounting

SURFACE PROTECTION:

- Epoxy powder coating RAL 7035

MATERIALS:

- Brass

CONNECTION TAP:

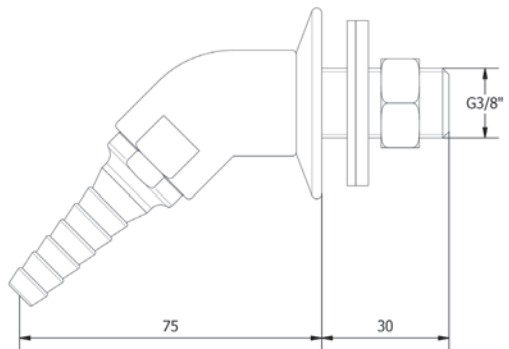
- Male thread G3/8"

STANDARD AND NORMS:

- EN13792:2000
- DIN12898
- DIN12918
- ISO228/1

OPTIONS:

- With chemical nickel plating 17 microns inside



WEIGHT:

- 330 gr

WARRANTY 2 YEARS