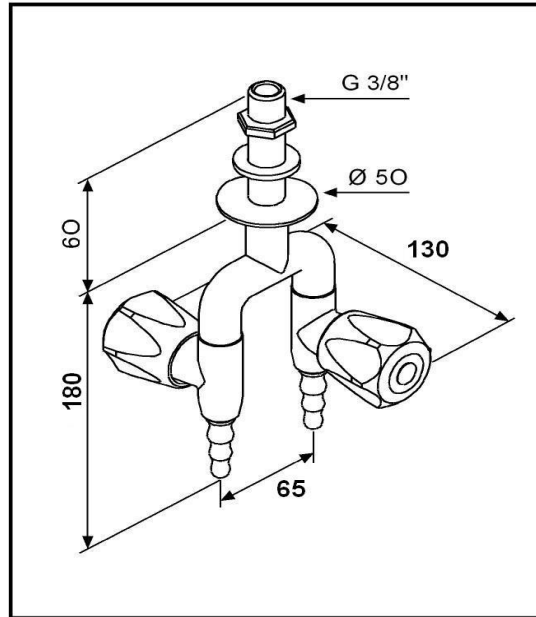


ARBOLES UK LTD



کد: 006216

شیر آب زیرشلفی دوقلو دستگیره معکوس با اتصالات فابریک

TECHNICAL FEATURES

Media: Water

Maximum pressure: 10 bar

Fluid identification according to DIN-EN 13792: Green - Green -
Blue/Red

Design according to DIN 12918-1

Nozzle according to DIN 12898

Body tap: Brass

Headwork: Elastomere / Brass, sealing by compression

Handwheel: ABS

Anticorrosive coating: Poliamide plastic, light grey colour RAL 7035

www.parslab.com