

WATER

11037.0

WASH BASIN MIXER WITH S-SWIVELLING SPOUT

APPLICATION:

- Wall mounting

DETAILS:

- Waterflow around 34l/min at 3 Bars pressure
- Test pressure: 9 Bars/air
- Max working pressure: 10 Bars

SURFACE PROTECTION:

- Epoxy powder coating RAL 7035

MATERIALS:

- Brass
- Handle in PP

HEADWORK SEALING:

- EPDM temperature working range: 0-70°
- CERAMIC temperature working range: 0-70°

CONNECTION TAP:

- Male thread G1/2"

STANDARD AND NORMS:

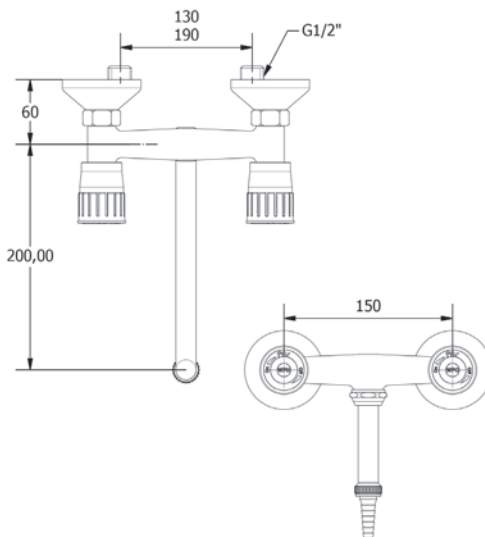
- EN13792:2000
- DIN12898
- DIN12918
- ISO228/1

OPTIONS:

- Lever model **LEV001/STI** instead of the handle (to use only with ceramic headwork)
- With chemical nickel plating 17 microns inside

WEIGHT:

- 1218 gr



WARRANTY 2 YEARS