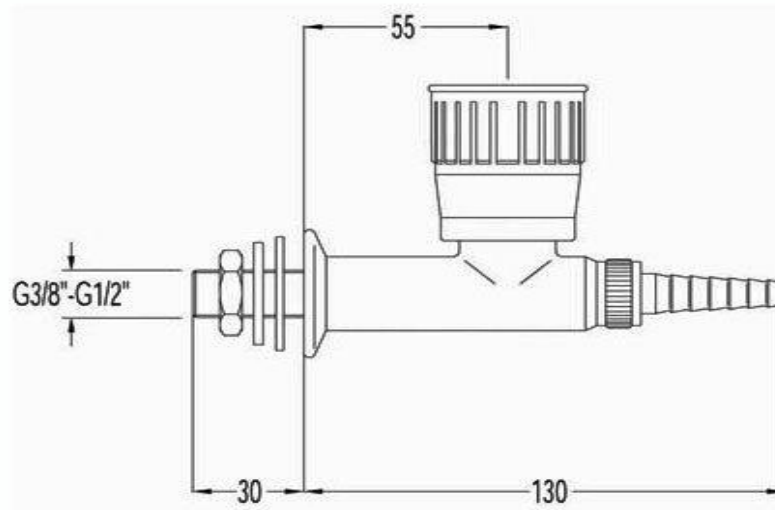




NUOVA FAR  
Laboratory TAPS

Quality and Design  
think  GREEN



کد: 11010-2

شیرآب زیر شلفی یک طرفه با دنباله 50mm

[www.parslab.com](http://www.parslab.com)

**APPLICATION:**

- n Wall mounting
- n Vertical mounting

**DETAILS:**

- n Waterflow around 13l/min at 3 Bars pressure
- n Test pressure: 9 Bars/air
- n Max working pressure: 10 Bars

**SURFACE PROTECTION:**

- n Epoxy powder coating RAL 7035

**MATERIALS:**

- n Brass
- n Handle in PP

**HEADWORK SEALING:**

- n EPDM temperature working range: 0-70°
- n CERAMIC temperature working range: 0-70°

**CONNECTION TAP:**

- n Male thread G3/8" - G1/2"

**STANDARD AND NORMS:**

- n EN13792:2000
- n DIN12898
- n DIN12918
- n ISO228/1

**OPTIONS:**

- n Lever model **LEV001/STI** instead of the handle (to use only with ceramic headwork)

- n With chemical nickel plating 17microns inside

**WEIGHT:**

- n 592 gr

Water taps are supplied with oil bath head valve and sealing in EPDM.

Nozzle with possibility of disassembly in compliance with DIN 12898 regulation.

Handles in compliance with EN137922000 norm, manufactured in ABS; acid resistant material.

Threads in compliance with ISO228/1 regulation, B tolerance class.

Taps are built following the DIN12918 norm.

Maximum working pressure 10 Bar.