

# TECHNICAL GASES

# 13324.1

## 45° CONNECTION NOZZLE

### APPLICATION:

- Wall mounting

### SURFACE PROTECTION:

- Epoxy powder coating RAL 7035

### MATERIALS:

- Brass

### CONNECTION TAP:

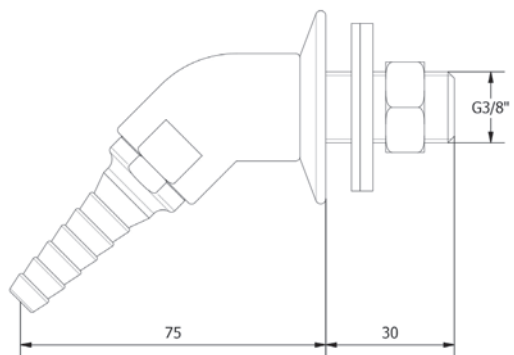
- Male thread G3/8" - G1/2"

### STANDARD AND NORMS:

- EN13792:2000
- DIN12898
- DIN12918
- ISO228/1

### OPTIONS:

- With chemical nickel plating 17 microns inside



### WEIGHT:

- 330 gr

WARRANTY 2 YEARS