

**BROEN  
UNIFLEX™  
FITTINGS  
FOR WATER**

**BROEN UNIFLEX™ FITTINGS FOR WATER**



















**BROEN UNIFLEX™ FITTINGS FOR WATER**



**PREMIUM**

**BROEN**

INTELLIGENT FLOW SOLUTIONS

Content	Page
Table of Content	2
BROEN UniFlex™ PREMIUM	4
Product Overview	5
<b>Water Fittings</b>	
Bench Mounted Fitting with Swivel Spout  ..... 6	Single Handle Mixer Bench Mounted  ..... 16
Bench Fitting Mounted on a Column  ..... 7	Single Handle Mixer Bench Mounted with Hand Shower  ..... 17
Two Valve Bench Mounted Fitting on a U-Shaped Column  ..... 8	One Handle Two Hole Mixer with Swivel Spout  ..... 18
Two Valve Bench Mounted Fitting on a Tee-shaped Column  ..... 9	One Handle Mixer with Swivel Spout  ..... 19
Bench Mounted Fitting on a Column with Swivel Spout  ..... 10	Bench or Wall Mounted 2-Hole Mixer  ..... 20
Three Valve Bench Mounted Fitting  ..... 11	Wall Fitting with Lead-in  ..... 21
Wall Mounted Fitting  ..... 12	Wall Fitting  ..... 22
Two Handle Bench Mounted One Hole Mixer with Swivel Spout  ..... 13	Fitting for Suspended or Wall Mounting  ..... 23
Suspended 2-Valve Fitting  ..... 14	Fitting for Suspended or Wall Mounting with Lead-in  ..... 24
<b>BROEN UniFlex™ Hoses for Water</b> <span style="float: right;">25</span>	
<b>Ordering Information</b>	
BROEN UniFlex™ Fittings	26
BROEN UniFlex™ Hoses for Water	27
<b>Headwork</b>	
Metal Handle	28
Wrist Action Lever	29
<b>Accessories / Spare Parts</b> <span style="float: right;">30</span>	

**PREMIUM**

**BROEN UNIFLEX™ FITTINGS FOR WATER**



**THIS IS BROEN UNIFLEX™ PREMIUM**

BROEN UniFlex™ PREMIUM line offers a very high quality and durability combined with the complete program, which adds up to low LCC (Life Cycle Costs). Our PREMIUM line takes the standards in the market to a higher level.

**BROEN UNIFLEX™ FITTINGS FOR WATER**



BROEN UniFlex™ PREMIUM fittings for water are designed for laboratory use. The operation and the configuration of the fittings are highly adapted to the requirements of a modern laboratory. The fittings are surface treated with BROEN POLYCOAT powder coating, which is highly resistant to most chemicals, UV fading and heat (for more information please refer to "BROEN POLYCOAT" brochure.)

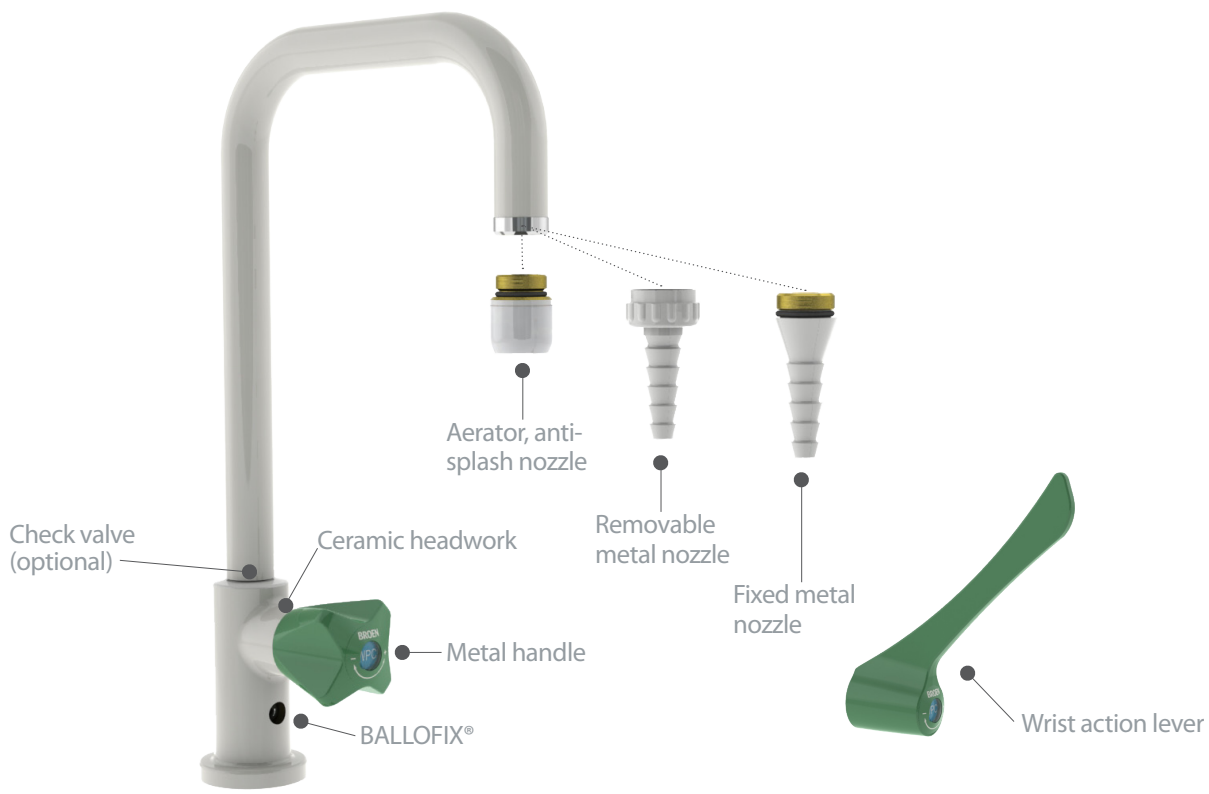
Most water fittings are as a standard delivered with a removable hose nozzle with a loose union nut which offers quick and effortless assembly and disassembly when a hose has been fixed to the nozzle.

As an option it is possible to get water fittings with integrated check valve, which prevent backflow.

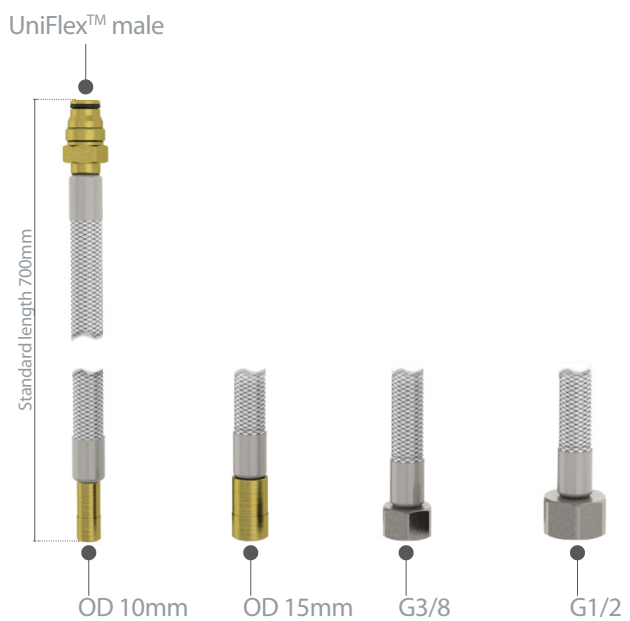
BROEN UniFlex™ PREMIUM fittings for water incorporate a BALLOFIX® ball valve (where relevant), which offers a number of advantages such as local shut-off (e.g. in connection with product service) and pre-setting for experimental purposes.

**THIS IS BROEN UNIFLEX™**

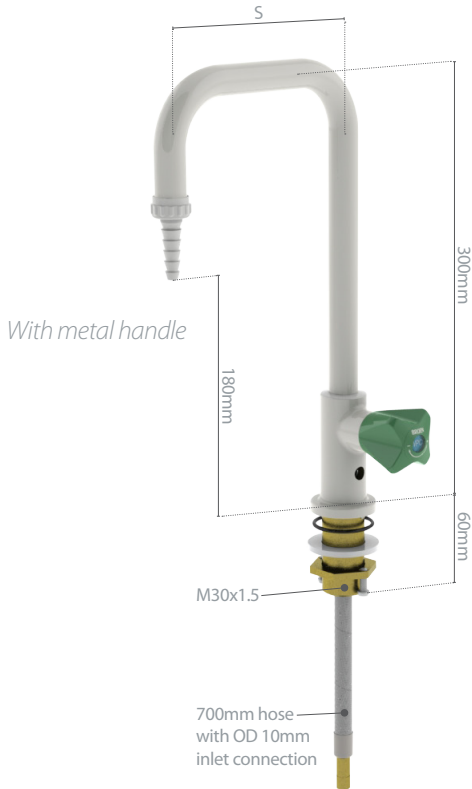
BROEN UniFlex™ is a unique and patented connection, which allows customers to choose from various connection methods, such as hoses, Cu, PEX of Stainless Steel pipes, without changing the valve itself. It provides unique flexibility, not only for the installer, but also for the end-user. Due to the flexibility of the system, the quick installation and savings on fittings, this system offers lower TIC (Total Installed Costs).



**BROEN UNIFLEX™ HOSES**



BROEN UNIFLEX™ FITTINGS FOR WATER



With wrist action lever



Model: Metal handle

**SPECIFICATIONS**

The fitting is delivered with an integrated BALLOFIX® ball valve.

**Handle:** Metal, BROEN POLYCOAT powder coated with media indication according to EN13792

**Spout:** Full swivel action

**Hose nozzle:** Removable metal

**Headwork:** Ceramic

**Opening/closing function:** 180° (wrist action lever: 90°)

**Temperature range:** 0-90°C

**Max. working pressure:** 10 bar / 147 psi

**Test pressure:** 1 x working pressure

**Weight:** 1.4 kg

**MATERIALS WITH MEDIA CONTACT**

**Metals:** Brass

**Plastics:** POM, PTFE, SPX (hose)

**Sealing:** EPDM

**Lubricant:** Silicone based

**Ceramics:** Al<sub>2</sub>O<sub>3</sub> 96%

**ORDERING INFORMATION**

For standard configuration please refer to the item numbers below.

Other options:

- aerator
- fixed hose nozzle
- integrated non-return valve
- fixed spout
- alternative hose inlet connection / without a hose
- other inlet options (type, length)
- national approvals
- WPH (Water Potable Hot)
- WNH (Water Non-Potable Hot)

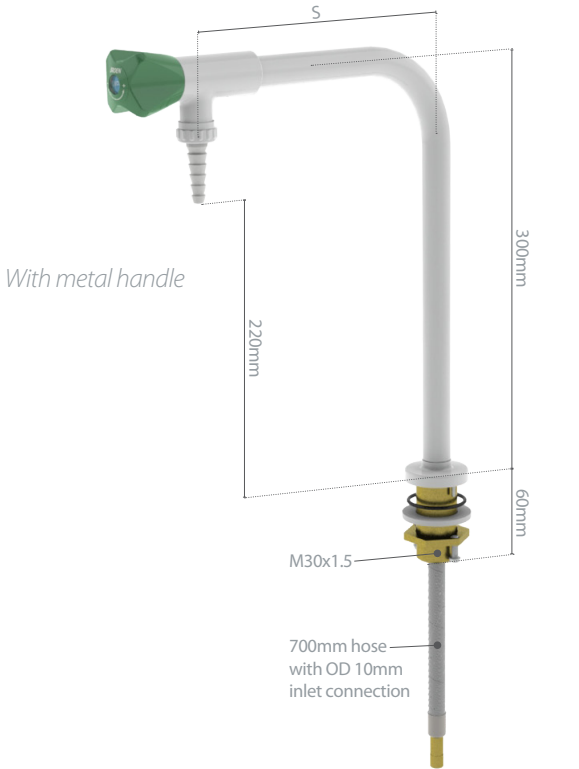
Media	S = 150mm	S = 200mm	S = 250mm	S = 300mm
Potable water, cold	2534 001 1001-52B	2534 002 1001-52B	2534 017 1001-52B	2534 016 1001-52B
Non-potable water, cold	2534 001 1007-52B	2534 002 1007-52B	2534 017 1007-52B	2534 016 1007-52B

Model: Wrist action lever



Media	S = 150mm	S = 200mm	S = 250mm	S = 300mm
Potable water, cold	2534 015 1001-52B	2534 018 1001-52B	2534 050 1001-52B	2534 051 1001-52B
Non-potable water, cold	2534 015 1007-52B	2534 018 1007-52B	2534 050 1007-52B	2534 051 1007-52B

For further information and mounting instructions please refer to [www.BROEN.com](http://www.BROEN.com) or contact your local BROEN LAB representative.



**SPECIFICATIONS**

The fitting is delivered with an integrated BALLOFIX® ball valve.  
**Handle:** Metal, BROEN POLYCOAT powder coated with media indication according to EN13792  
**Hose nozzle:** Removable metal  
**Headwork:** Ceramic  
**Opening/closing function:** 180° (wrist action lever: 90°)  
**Temperature range:** 0-90°C  
**Max. working pressure:** 10 bar / 147 psi  
**Test pressure:** 1 x working pressure  
**Weight:** 1.5 kg

**MATERIALS WITH MEDIA CONTACT**

**Metals:** Brass  
**Plastics:** POM, SPX (hose)  
**Sealing:** EPDM  
**Lubricant:** Silicone based  
**Ceramics:** Al<sub>2</sub>O<sub>3</sub> 96%

**ORDERING INFORMATION**

For standard configuration please refer to the item numbers below.

- Other options:
- aerator
  - fixed hose nozzle
  - integrated non-return valve
  - alternative hose inlet connection / without a hose
  - other inlet options (type, length)
  - national approvals
  - WPH (Water Potable Hot)
  - WNH (Water Non-Potable Hot)



**Model:** Metal handle



**BROEN UNIFLEX™ FITTINGS FOR WATER**

Media	S = 150mm	S = 200mm
Potable water, cold	2533 062 1001-52B	2533 024 1001-52B
Non-potable water, cold	2533 062 1007-52B	2533 024 1007-52B

**Model:** Wrist action lever

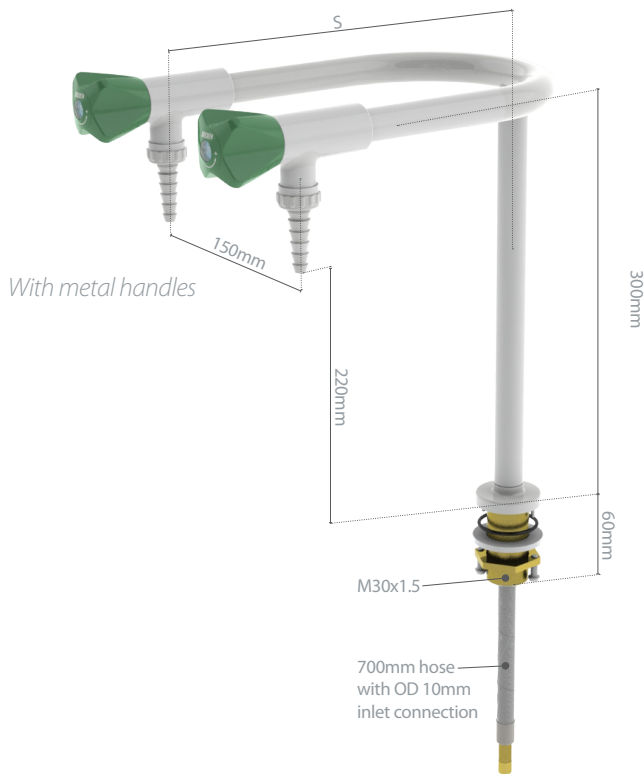


Media	S = 150mm	S = 200mm
Potable water, cold	2533 067 1001-52B	2533 025 1001-52B
Non-potable water, cold	2533 067 1007-52B	2533 025 1007-52B

For further information and mounting instructions please refer to [www.BROEN.com](http://www.BROEN.com) or contact your local BROEN LAB representative.

# TWO VALVE BENCH MOUNTED FITTING ON A U-SHAPED COLUMN

**PREMIUM**



With metal handles

## SPECIFICATIONS

The fitting is delivered with an integrated BALLOFIX® ball valve.

**Handle:** Metal, BROEN POLYCOAT powder coated with media indication according to EN13792

**Hose nozzle:** Removable metal

**Headwork:** Ceramic

**Opening/closing function:** 180° (wrist action lever: 90°)

**Temperature range:** 0-90°C

**Max. working pressure:** 10 bar / 147 psi

**Test pressure:** 1 x working pressure

**Weight:** 2.5 kg

## MATERIALS WITH MEDIA CONTACT

**Metals:** Brass

**Plastics:** POM, SPX (hose)

**Sealing:** EPDM

**Lubricant:** Silicone based

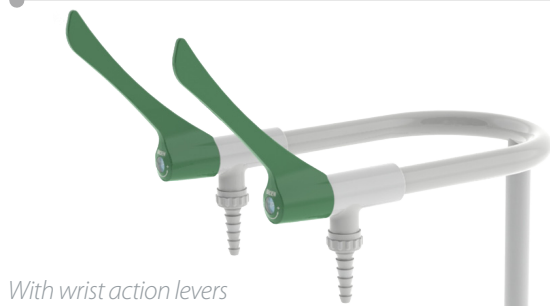
**Ceramics:** Al<sub>2</sub>O<sub>3</sub> 96%

## ORDERING INFORMATION

For standard configuration please refer to the item numbers below.

Other options:

- aerator
- fixed hose nozzle
- integrated non-return valve
- alternative hose inlet connection / without a hose
- other inlet options (type, length)
- national approvals



With wrist action levers

Model: Metal handle



BROEN UNIFLEX™ FITTINGS FOR WATER

Media	S = 150mm	S = 200mm
Potable water, cold	2533 068 1001-52B	2533 070 1001-52B
Non-potable water, cold	2533 068 1007-52B	2533 070 1007-52B

Model: Wrist action lever



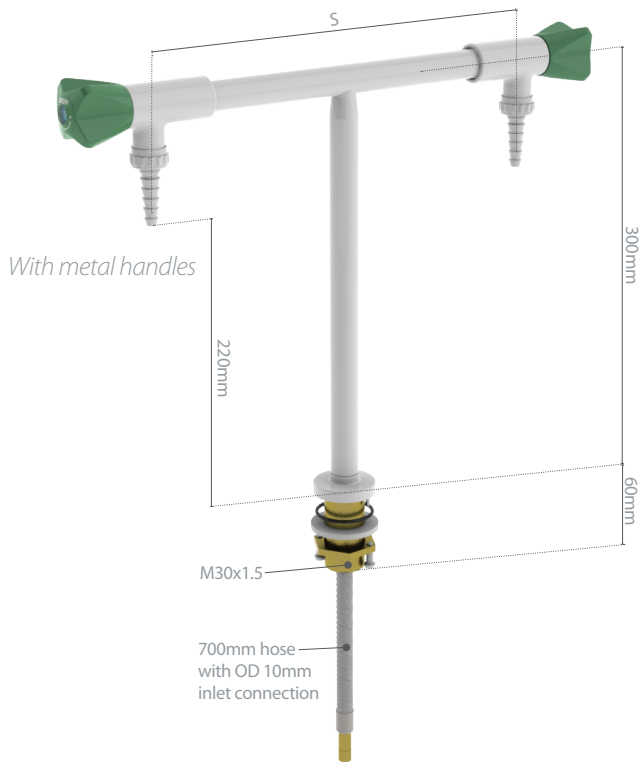
Media	S = 150mm	S = 200mm
Potable water, cold	2533 069 1001-52B	2533 071 1001-52B
Non-potable water, cold	2533 069 1007-52B	2533 071 1007-52B

For further information and mounting instructions please refer to [www.BROEN.com](http://www.BROEN.com) or contact your local BROEN LAB representative.



# TWO VALVE BENCH MOUNTED FITTING ON A TEE-SHAPED COMLUMN

**PREMIUM**



## SPECIFICATIONS

The fitting is delivered with an integrated BALLOFIX® ball valve.

**Handle:** Metal, BROEN POLYCOAT powder coated with media indication according to EN13792

**Hose nozzle:** Removable metal

**Headwork:** Ceramic

**Opening/closing function:** 180° (wrist action lever: 90°)

**Temperature range:** 0-90°C

**Max. working pressure:** 10 bar / 147 psi

**Test pressure:** 1 x working pressure

**Weight:** 2.3 kg

## MATERIALS WITH MEDIA CONTACT

**Metals:** Brass

**Plastics:** POM, SPX (hose)

**Sealing:** EPDM

**Lubricant:** Silicone based

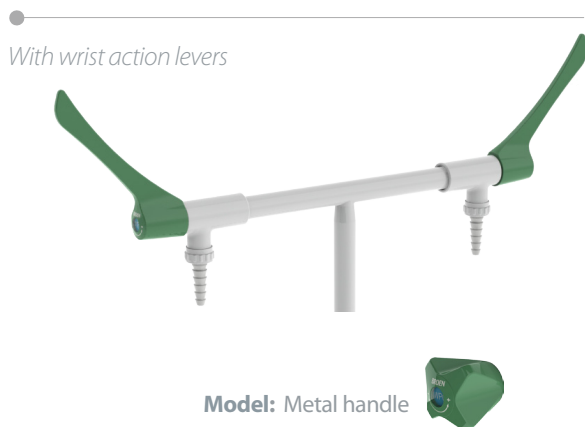
**Ceramics:** Al<sub>2</sub>O<sub>3</sub> 96%

## ORDERING INFORMATION

For standard configuration please refer to the item numbers below.

Other options:

- aerator
- fixed hose nozzle
- integrated non-return valve
- alternative hose inlet connection / without a hose
- other inlet options (type, length)
- national approvals



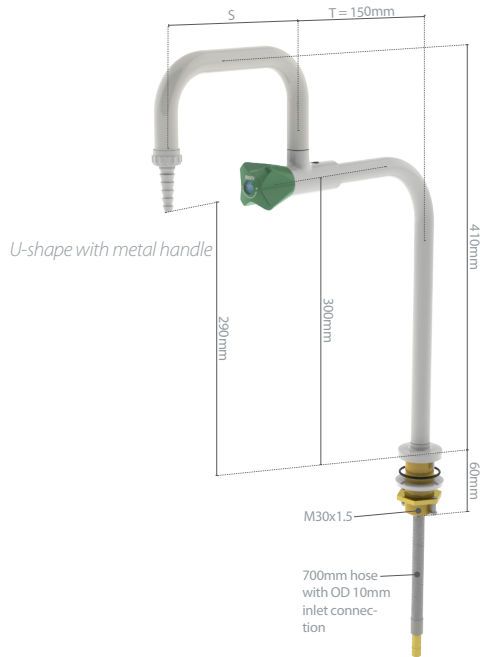
BROEN UNIFLEX™ FITTINGS FOR WATER

Media	S = 300mm	S = 400mm
Potable water, cold	2533 072 1001-52B	2533 074 1001-52B
Non-potable water, cold	2533 072 1007-52B	2533 074 1007-52B



Media	S = 300mm	S = 400mm
Potable water, cold	2533 073 1001-52B	2533 075 1001-52B
Non-potable water, cold	2533 073 1007-52B	2533 075 1007-52B

For further information and mounting instructions please refer to [www.BROEN.com](http://www.BROEN.com) or contact your local BROEN LAB representative.



**SPECIFICATIONS**

The fitting is delivered with an integrated BALLOFIX® ball valve.

**Handle:** Metal, BROEN POLYCOAT powder coated with media indication according to EN13792

**Spout:** Full swivel action

**Hose nozzle:** Removable metal

**Headwork:** Ceramic

**Opening/closing function:** 180° (wrist action lever: 90°)

**Temperature range:** 0-90°C

**Max. working pressure:** 10 bar / 147 psi

**Test pressure:** 1 x working pressure

**Weight:** 2 kg

**MATERIALS WITH MEDIA CONTACT**

**Metals:** Brass

**Plastics:** POM, PTFE, SPX (hose)

**Sealing:** EPDM

**Lubricant:** Silicone based

**Ceramics:** Al<sub>2</sub>O<sub>3</sub> 96%

**ORDERING INFORMATION**

For standard configuration please refer to the item numbers below.

Other options:

- aerator
- fixed hose nozzle
- S-shaped spout with wrist action lever
- integrated non-return valve
- U-shaped spout, T = 200mm
- S-shaped spout, S = 250mm + 300mm
- alternative hose inlet connection / without a hose
- other inlet options (type, length)
- national approvals
- WPH (Water Potable Hot)
- WNH (Water Non-Potable Hot)

**BROEN UNIFLEX™ FITTINGS FOR WATER**





**Model:** Metal handle U-shape

**Media**

**S = 150mm**

**S = 200mm**



 Potable water, cold	2533 076 1001-52B	2533 077 1001-52B
 Non-potable water, cold	2533 076 1007-52B	2533 077 1007-52B

**Model:** Metal handle S-shape

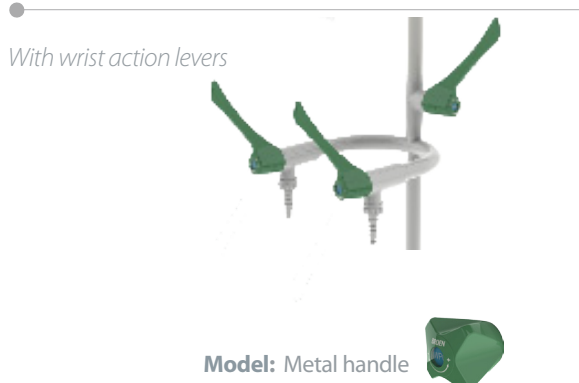
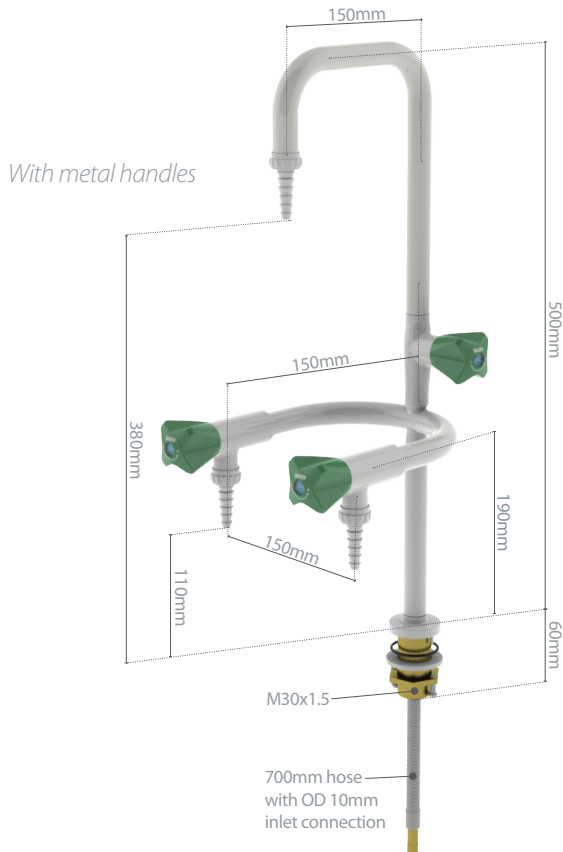
**Media**

**S = 150mm**

**S = 200mm**

 Potable water, cold	2533 127 1001-52B	2533 140 1001-52B
 Non-potable water, cold	2533 127 1007-52B	2533 140 1007-52B

For further information and mounting instructions please refer to [www.BROEN.com](http://www.BROEN.com) or contact your local BROEN LAB representative.



**SPECIFICATIONS**

The fitting is delivered with an integrated BALLOFIX® ball valve.  
**Handle:** Metal, BROEN POLYCOAT powder coated with media indication according to EN13792  
**Spout:** Full swivel action  
**Hose nozzle:** Removable metal  
**Headwork:** Ceramic  
**Opening/closing function:** 180° (wrist action lever: 90°)  
**Temperature range:** 0-90°C  
**Max. working pressure:** 10 bar / 147 psi  
**Test pressure:** 1 x working pressure  
**Weight:** 3 kg

**MATERIALS WITH MEDIA CONTACT**

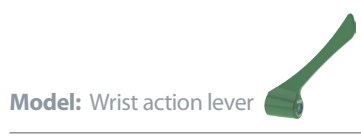
**Metals:** Brass  
**Plastics:** POM, PTFE, SPX (hose)  
**Sealing:** EPDM  
**Lubricant:** Silicone based  
**Ceramics:** Al<sub>2</sub>O<sub>3</sub> 96%  
**Solder:** DIN L-Ag55:Sn

**ORDERING INFORMATION**

For standard configuration please refer to the item numbers below.  
 Other options:  
 - aerator  
 - fixed hose nozzle  
 - integrated non-return valve  
 - alternative hose inlet connection / without a hose  
 - other inlet options (type, length)  
 - national approvals

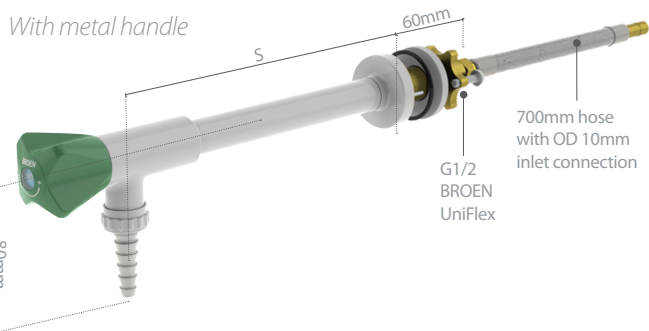
BROEN UNIFLEX™ FITTINGS FOR WATER

Media	S = 150mm
Potable water, cold	2533 078 1001-52B
Non-potable water, cold	2533 078 1007-52B



Media	S = 150mm
Potable water, cold	2533 079 1001-52B
Non-potable water, cold	2533 079 1007-52B

For further information and mounting instructions please refer to [www.BROEN.com](http://www.BROEN.com) or contact your local BROEN LAB representative.



**SPECIFICATIONS**

The fitting is delivered with an integrated BALLOFIX® ball valve.  
**Handle:** Metal, BROEN POLYCOAT powder coated with media indication according to EN13792  
**Hose nozzle:** Removable metal  
**Headwork:** Ceramic  
**Opening/closing function:** 180° (wrist action lever: 90°)  
**Temperature range:** 0-90°C  
**Max. working pressure:** 10 bar / 147 psi  
**Test pressure:** 1 x working pressure  
**Weight:** 2.3 kg

**MATERIALS WITH MEDIA CONTACT**

**Metals:** Brass  
**Plastics:** POM, SPX (hose)  
**Sealing:** EPDM  
**Lubricant:** Silicone based  
**Ceramics:** Al<sub>2</sub>O<sub>3</sub> 96%

**ORDERING INFORMATION**

For standard configuration please refer to the item numbers below.

- Other options:
- aerator
  - fixed hose nozzle
  - integrated non-return valve
  - alternative hose inlet connection / without a hose
  - other inlet options (type, length)
  - national approvals
  - WPH (Water Potable Hot)
  - WNH (Water Non-Potable Hot)

**Model:** Metal handle



Media	S = 150mm	S = 200mm
Potable water, cold	2533 080 1001-14B	2533 082 1001-14B
Non-potable water, cold	2533 080 1007-14B	2533 082 1007-14B

**Model:** Wrist action lever

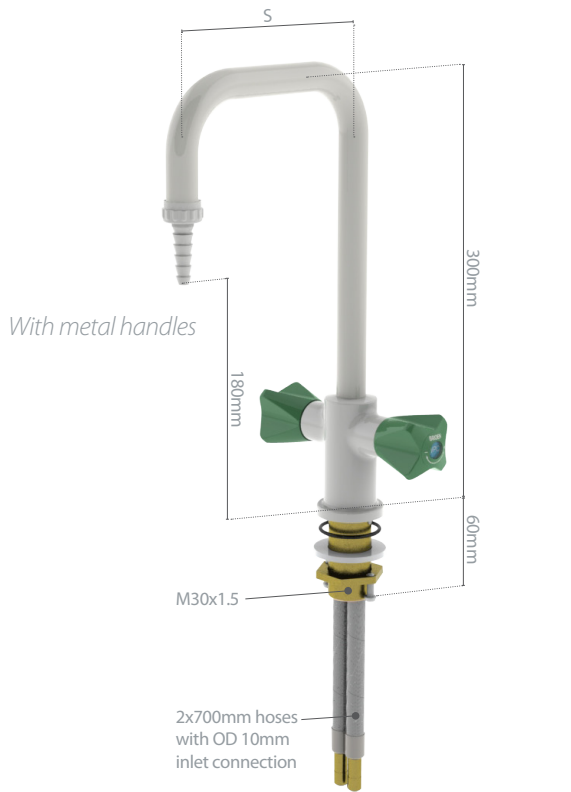


Media	S = 150mm	S = 200mm
Potable water, cold	2533 081 1001-14B	2533 0831 001-14B
Non-potable water, cold	2533 081 1007-14B	2533 083 1007-14B

For further information and mounting instructions please refer to [www.BROEN.com](http://www.BROEN.com) or contact your local BROEN LAB representative.

# TWO HANDLE BENCH MOUNTED ONE HOLE MIXER WITH SWIVEL SPOUT

**PREMIUM**



## SPECIFICATIONS

- Handle:** Metal, BROEN POLYCOAT powder coated with media indication according to EN13792
- Spout:** Full swivel action
- Hose nozzle:** Removable metal
- Headwork:** Ceramic
- Opening/closing function:** 180° (wrist action lever: 90°)
- Temperature range:** 0-90°C
- Max. working pressure:** 10 bar / 147 psi
- Test pressure:** 1 x working pressure
- Weight:** 1.8 kg

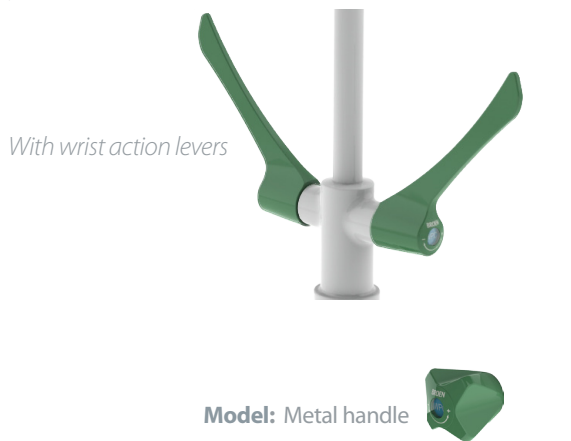
## MATERIALS WITH MEDIA CONTACT

- Metals:** Brass
- Plastics:** POM, PTFE, SPX (hose)
- Sealing:** EPDM
- Lubricant:** Silicone based
- Ceramics:** Al<sub>2</sub>O<sub>3</sub> 96%

## ORDERING INFORMATION

For standard configuration please refer to the item numbers below.

- Other options:
- aerator
  - fixed hose nozzle
  - integrated non-return valve
  - fixed spout
  - alternative hose inlet connection / without a hose
  - OD 10mm Cu pipes
  - other inlet options
  - national approvals



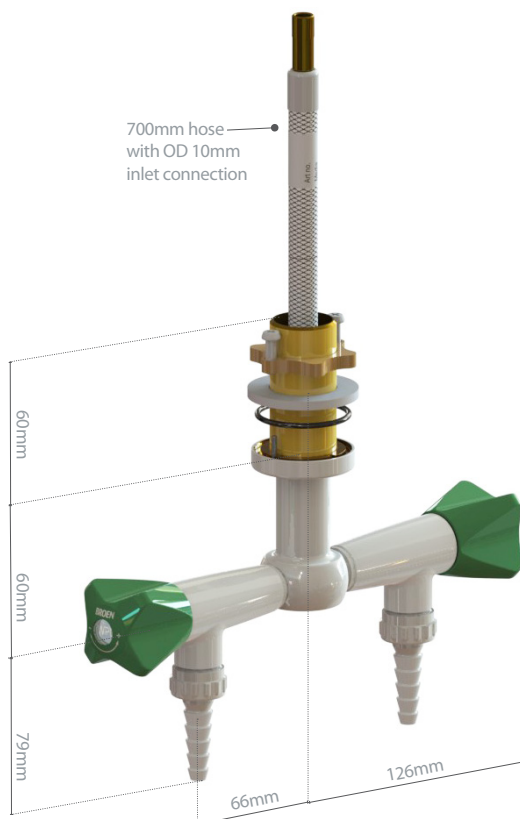
BROEN UNIFLEX™ FITTINGS FOR WATER

Media	S = 150mm	S = 200mm	S = 250mm	S = 300mm
Potable water, cold/hot	2536 001 1039-52B	2536 002 1039-52B	2536 013 1039-52B	2536 012 1039-52B
Non-potable water, cold/hot	2536 001 1040-52B	2536 002 1040-52B	2536 013 1040-52B	2536 012 1040-52B



Media	S = 150mm	S = 200mm	S = 250mm	S = 300mm
Potable water, cold/hot	2536 028 1039-52B	2536 014 1039-52B	2536 037 1039-52B	2536 040 1039-52B
Non-potable water, cold/hot	2536 028 1040-52B	2536 014 1040-52B	2536 037 1040-52B	2536 040 1040-52B

For further information and mounting instructions please refer to [www.BROEN.com](http://www.BROEN.com) or contact your local BROEN LAB representative.



**SPECIFICATIONS**

The fitting is delivered with an integrated BALLOFIX® ball valve.

**Handle:** Metal, BROEN POLYCOAT powder coated with media indication according to EN13792

**Hose nozzle:** Removable metal

**Headwork:** Ceramic

**Opening/closing function:** 180°

**Temperature range:** 0-90°C

**Max. working pressure:** 10 bar / 147 psi

**Test pressure:** 1 x working pressure

**Weight:** 2.5 kg

**MATERIALS WITH MEDIA CONTACT**

**Metals:** Brass

**Plastics:** POM, SPX (hose)

**Sealing:** EPDM

**Lubricant:** Silicone based



**Ceramics:** Al<sub>2</sub>O<sub>3</sub> 96%

**ORDERING INFORMATION**

For standard configuration please refer to the item numbers below.

Other options:

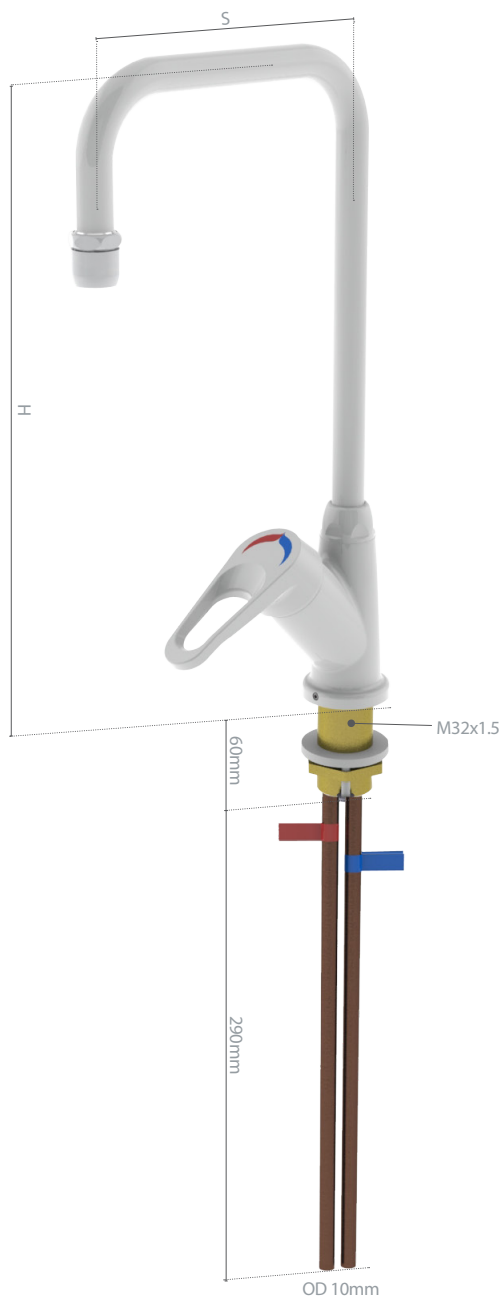
- aerator
- fixed hose nozzle
- elbow levers
- models with single valve, 2 valves 90° and 4 valves
- alternative hose inlet connection / without a hose
- other inlet options (type, length)
- national approvals

Media	2 valves 180°
 Potable water, cold	2530 047 1001-52B
 Non-potable water, cold	2530 047 1007-52B

For further information and mounting instructions please refer to [www.BROEN.com](http://www.BROEN.com) or contact your local BROEN LAB representative.



**BROEN UMIFLEX™ FITTINGS FOR WATER**



**SPECIFICATIONS**

- Handle:** Metal, BROEN POLYCOAT powder coated
- Spout:** Swivel action
- Hose nozzle:** Aerator
- Cartridge:** Ceramic (temperature and flow regulation type)
- Opening/closing function:** 25°, mixing function: ±45°
- Temperature range:** 0°C - 90°C
- Max. working pressure:** 10 bar / 147 psi
- Test pressure:** 1 x working pressure
- Weight:** 2.4 kg

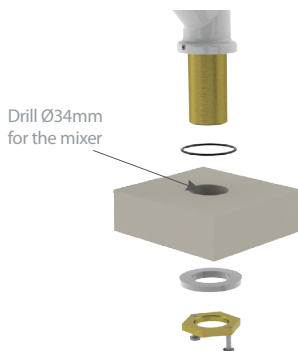
**MATERIALS WITH MEDIA CONTACT**

- Metals:** Brass
- Plastics:** POM, PTFE, SPX (hose)
- Sealing:** EPDM
- Lubricant:** Silicone based
- Ceramics:** Al<sub>2</sub>O<sub>3</sub> 96%

**ORDERING INFORMATION**

For standard configuration please refer to the item numbers below.  
 Other options:  
 - removable hose nozzle

**MOUNTING INFORMATION**



**Media**

**H = 300mm, S = 200mm**

**H = 360mm, S = 180mm**

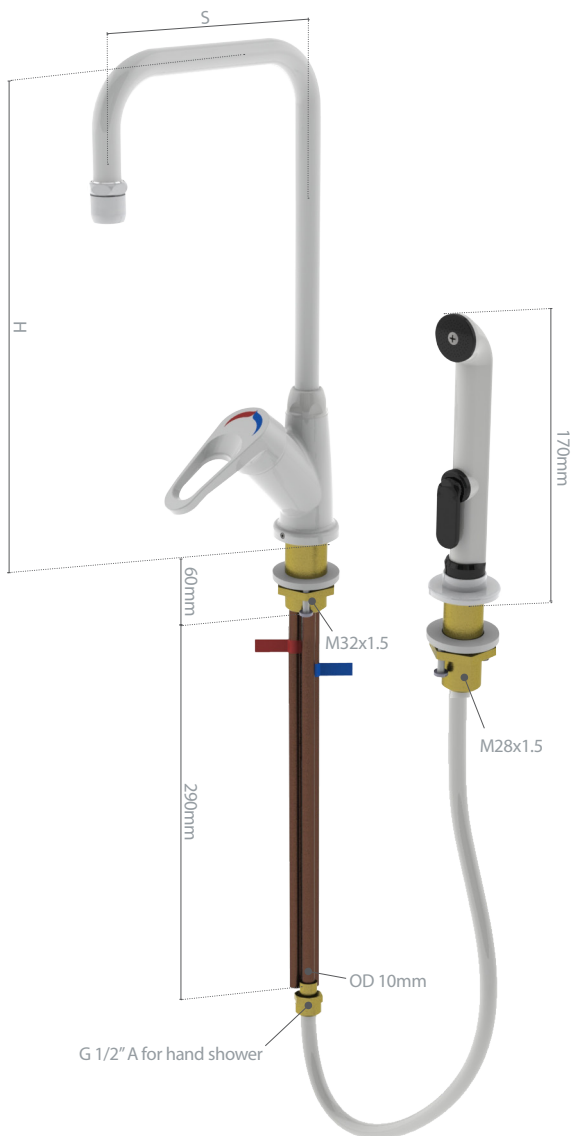


Short Handle

15 304.459

15 304.009





**SPECIFICATIONS**

- Handle:** Metal, BROEN POLYCOAT powder coated
- Spout:** Swivel action
- Hose nozzle:** Aerator
- Cartridge:** Ceramic (temperature and flow regulation type)
- Opening/closing function:** 25°, mixing function: ±45°
- Temperature range:** 0°C - 90°C
- Max. working pressure:** 10 bar / 147 psi
- Test pressure:** 1 x working pressure
- Weight:** 3.0 kg

**MATERIALS WITH MEDIA CONTACT**

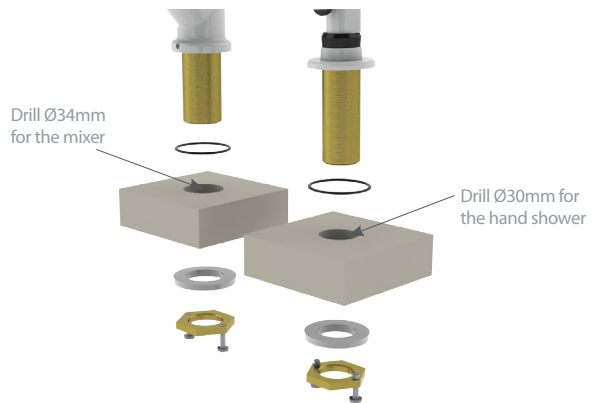
- Metals:** Brass
- Plastics:** POM, PTFE, SPX (hose), ABS
- Sealing:** EPDM
- Lubricant:** Silicone based
- Ceramics:** Al<sub>2</sub>O<sub>3</sub> 96%

**ORDERING INFORMATION**

For standard configuration please refer to the item numbers below.

- Other options:
- removable hose nozzle

**MOUNTING INFORMATION**



**BROEN UNIFLEX™ FITTINGS FOR WATER**

**Media**

**H = 300mm, S = 200mm**

**H = 360mm, S = 180mm**

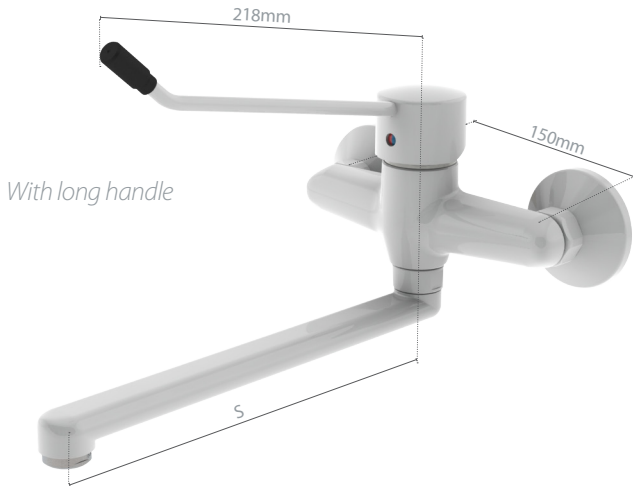


Short Handle

15 305.459

15 305.009

For further information and mounting instructions please refer to [www.BROEN.com](http://www.BROEN.com) or contact your local BROEN LAB representative.



BROEN UNIFLEX™ FITTINGS FOR WATER

**SPECIFICATIONS**

- Handle:** Metal, BROEN POLYCOAT powder coated
- Spout:** Swivel action
- Hose nozzle:** Aerator
- Cartridge:** Ceramic (temperature and flow regulation type)
- Opening/closing function:** 25°, mixing function: ±45°
- Temperature range:** 0°C - 90°C
- Max. working pressure:** 10 bar / 147 psi
- Test pressure:** 1 x working pressure
- Inlets:** Eccentric couplings with male G1/2
- Weight:** 1.5 kg

**MATERIALS WITH MEDIA CONTACT**

- Metals:** Brass
- Plastics:** POM, PTFE, SPX (hose)
- Sealing:** EPDM
- Lubricant:** Silicone based
- Ceramics:** Al<sub>2</sub>O<sub>3</sub> 96%

**ORDERING INFORMATION**



For standard configuration please refer to the item numbers below.

Other options:

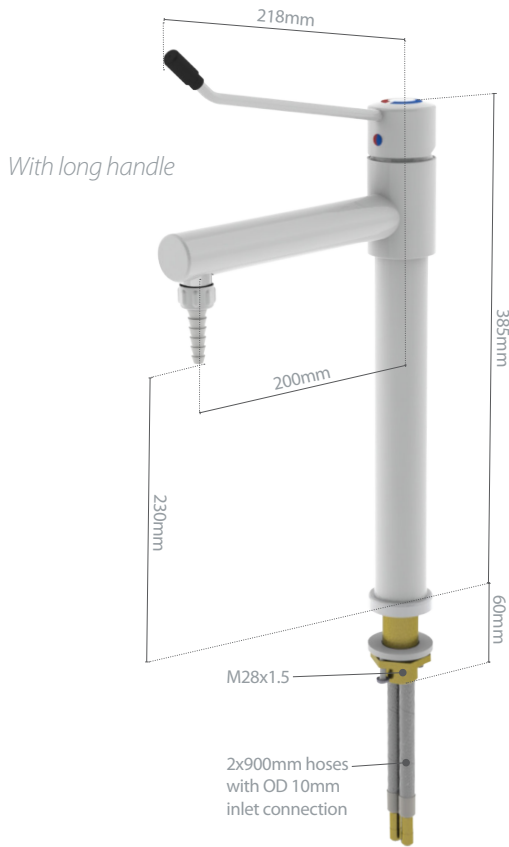
- removable hose nozzle
- bench mounted model
- different inlet connections  
(with BROEN UniFlex™ rear wall connection, lead-in. etc)

Media:



Model	S = 200mm	S = 250mm	S = 300mm
 Short Handle	2535 010 1035	2535 004 1035	2535 016 1035
 Long Handle	2535 007 1035	2535 001 1035	2535 013 1035

For further information and mounting instructions please refer to [www.BROEN.com](http://www.BROEN.com) or contact your local BROEN LAB representative.



**SPECIFICATIONS**

- Handle:** Metal, BROEN POLYCOAT powder coated
- Spout:** Full swivel action (110° limited swivel or no swivel as an option, should be mentioned when ordering)
- Hose nozzle:** Removable plastic (aerator included)
- Cartridge:** Ceramic (temperature and flow regulation type)
- Opening/closing function:** 25°, mixing function: ±45°
- Temperature range:** 0°C - 65°C
- Max. working pressure:** 10 bar / 147 psi
- Weight:** 2.8 kg

**MATERIALS WITH MEDIA CONTACT**

- Metals:** Brass
- Plastics:** PP, POM, PTFE, SPX (hose)
- Sealing:** EPDM
- Lubricant:** Silicone based
- Ceramics:** Al<sub>2</sub>O<sub>3</sub> 96%

**ORDERING INFORMATION**

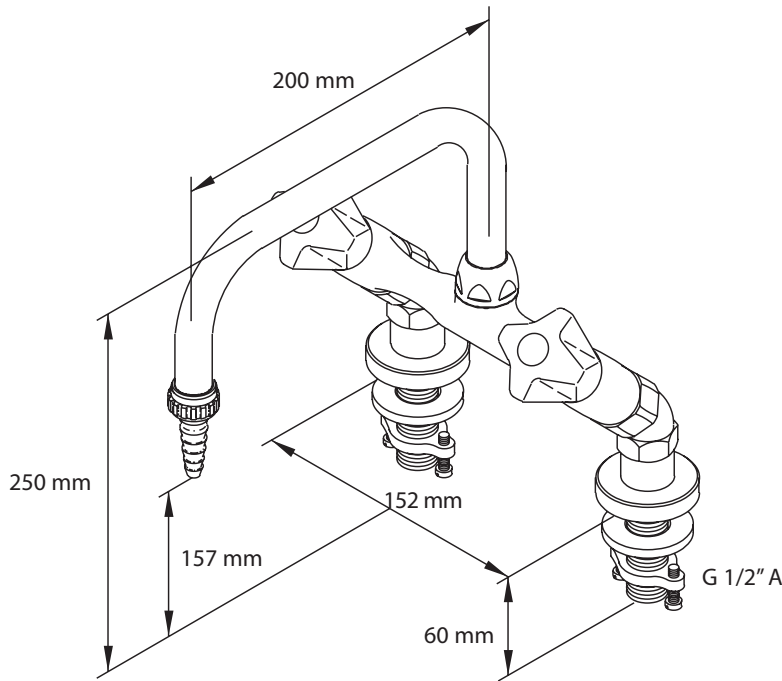
For standard configuration please refer to the item numbers below.



**Model** **S = 200mm**

	Short Handle	G350328135
	Long Handle	G350318135

For further information and mounting instructions please refer to [www.BROEN.com](http://www.BROEN.com) or contact your local BROEN LAB representative.



The fittings are surface treated with BROEN POLYCOAT powder coat, which is highly resistant to most chemicals, UV fading and heat.

The fitting incorporates a BALLOFIX® ball valve, which offers a number of advantages:

1. Local shut-off, e.g. in connection with product service.
2. Pre-setting for experimental purposes.
3. Water conservation.
4. Safety lock, preventing unintended opening of the fitting.

**No. 15 264.009** Bench or wall mounted two hole mixer with built-in BALLOFIX® shut-off valves, ceramic headworks, swivel spout and detachable nozzle.

The mixer is fixed as either a bench or wall mounted model by loosening the union nut between the valve housing and the 45° BALLOFIX®. The inlets are adjusted to the required position upon which the union nut is retightened.

200 mm standout.

**No. 15 268.009**  
Like above but with aerator.  
200 mm standout.

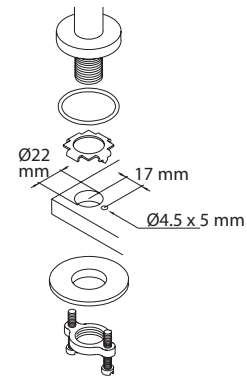
Delivered with mounting accessories.

**Materials with medium contact:**

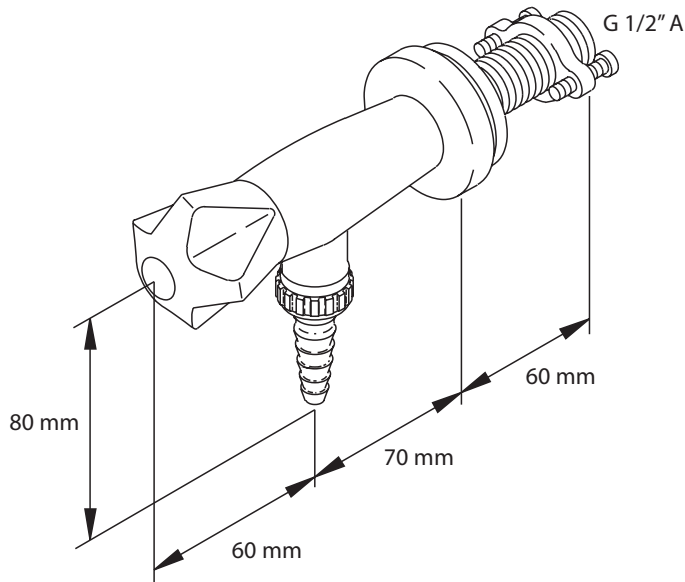
Metals:	Brass (aerator: nickel)
Sealing:	EPDM
Plastics:	POM
Lubricant:	Silicone based
Ceramics:	Al-oxyd 96%
Glue:	Loctite

Weight: 2.3 kg  
Maximum working pressure:  
10 bar/147 psi

**Mounting information:**



Drill Ø22 mm for the inlet. Drill Ø4.5 mm for the locking ring at a distance of 17 mm from the center of the Ø22 mm hole. The Ø4.5 mm hole must be at least 5 mm deep.



The fittings are surface treated with BROEN POLYCOAT powder coat, which is highly resistant to most chemicals, UV fading and heat.

The fitting incorporates a BALLOFIX® ball valve, which offers a number of advantages:

1. Local shut-off, e.g. in connection with product service.
2. Pre-setting for experimental purposes.
3. Water conservation.
4. Safety lock, preventing unintended opening of the fitting.

**No. 15 002.009** Wall fitting with built-in BALLOFIX® shut-off valve, ceramic head-work and detachable nozzle.

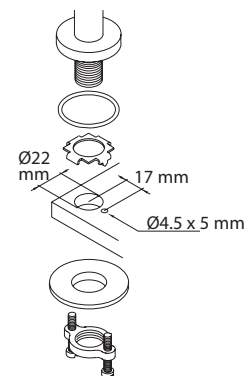
Delivered with mounting accessories.

**Materials with medium contact:**

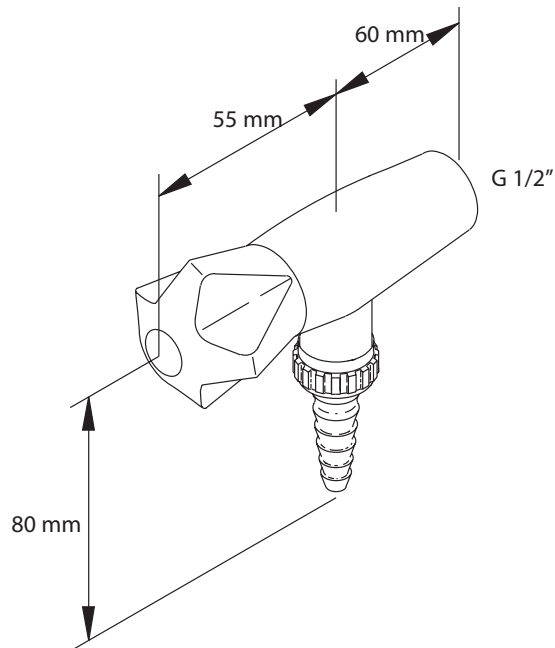
Metals:	Brass
Sealing:	EPDM
Plastics:	POM
Lubricant:	Silicone based
Ceramics:	Al-oxyd 96%
Glue:	Loctite

Weight: 0.9 kg  
 Maximum working pressure:  
 10 bar/147 psi

**Mounting information:**



Drill Ø22 mm for the inlet. Drill Ø4.5 mm for the locking ring at a distance of 17 mm from the center of the Ø22 mm hole. The Ø4.5 mm hole must be at least 5 mm deep.



**No. 15 204.009** Wall fitting with built-in BALLOFIX® shut-off valve, ceramic head-work and detachable nozzle.

#### Materials with medium contact:

Metals:	Brass
Sealing:	EPDM
Plastics:	POM
Lubricant:	Silicone based
Ceramics:	Al-oxyd 96%

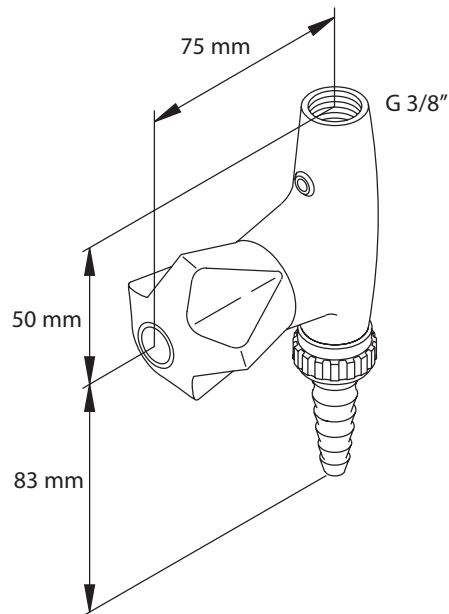
Weight: 0.6 kg

Maximum working pressure:  
10 bar/147 psi

The fittings are surface treated with BROEN POLYCOAT powder coat, which is highly resistant to most chemicals, UV fading and heat.

The fitting incorporates a BALLOFIX® ball valve, which offers a number of advantages:

1. Local shut-off, e.g. in connection with product service.
2. Pre-setting for experimental purposes.
3. Water conservation.
4. Safety lock, preventing unintended opening of the fitting.



**No. 15 010.009** Fitting for suspended or wall mounting with built-in BALLOFIX® shut-off valve, ceramic headwork and detachable nozzle.

#### Materials with medium contact:

Metals:	Brass
Sealing:	EPDM
Plastics:	POM
Lubricant:	Silicone based
Ceramics:	Al-oxyd 96%
Glue:	Loctite

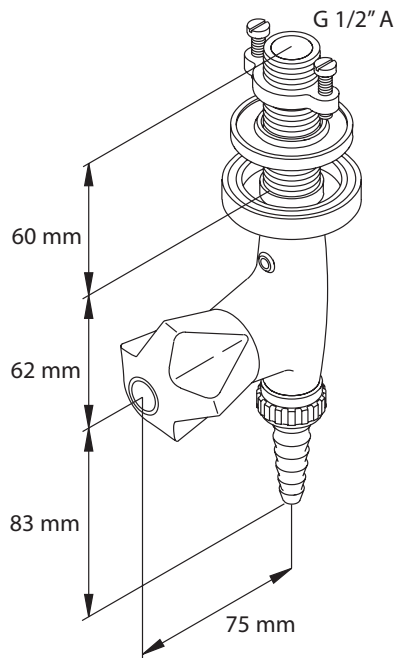
Weight: 0.6 kg

Maximum working pressure:  
10 bar/147 psi

The fittings are surface treated with BROEN POLYCOAT powder coat, which is highly resistant to most chemicals, UV fading and heat.

The fitting incorporates a BALLOFIX® ball valve, which offers a number of advantages:

1. Local shut-off, e.g. in connection with product service.
2. Pre-setting for experimental purposes.
3. Water conservation.
4. Safety lock, preventing unintended opening of the fitting.



The fittings are surface treated with BROEN POLYCOAT powder coat, which is highly resistant to most chemicals, UV fading and heat.

The fitting incorporates a BALLOFIX® ball valve, which offers a number of advantages:

1. Local shut-off, e.g. in connection with product service.
2. Pre-setting for experimental purposes.
3. Water conservation.
4. Safety lock, preventing unintended opening of the fitting.

**No. 15 340.009** Fitting for suspended or wall mounting with built-in BALLOFIX® shut-off valve, ceramic headwork and detachable nozzle.

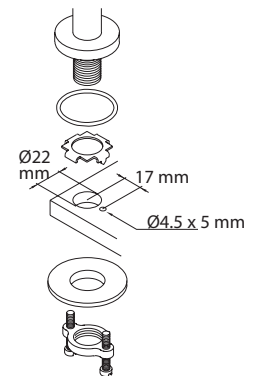
Delivered with mounting accessories.

Materials with medium contact:	
Metals:	Brass
Sealing:	EPDM
Plastics:	POM
Lubricant:	Silicone based
Ceramics:	Al-oxyd 96%
Glue:	Loctite

Weight: 0.6 kg

Maximum working pressure:  
10 bar/147 psi

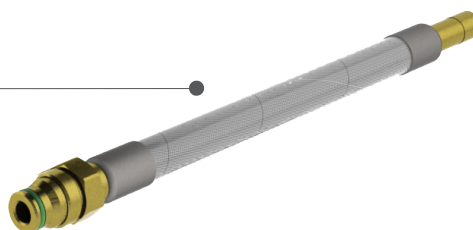
Mounting information:



Drill Ø22 mm for the inlet. Drill Ø4.5 mm for the locking ring at a distance of 17 mm from the center of the Ø22 mm hole. The Ø4.5 mm hole must be at least 5 mm deep.



BROEN UniFlex™ flexible hoses



BROEN LAB offers BROEN UniFlex™ hoses as an easy way to make the installation in the laboratory where safety and efficiency are required. BROEN UniFlex™ hoses are the ideal solution where there is a higher requirement for flexibility. Installation with flexible hoses saves you time and labor - in other words reduced installation costs.

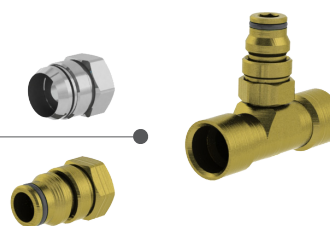
A wide range of fittings and lengths available for BROEN UniFlex™ hoses enables customers to choose the perfect hose for their application.

BROEN UniFlex™ hoses for water are manufactured of soft cross-linked polyethylene (SPX), which is approved for use with drinking water and meets all hygienic requirements. From the outside the hose is secured by a Stainless Steel braiding that ensures long service life and durability.

If you still prefer a standard way of installation with Cu, Stainless Steel, or PEX-pipes, BROEN LAB offers a wide range of connection fittings and adaptors for pipes of different dimensions.

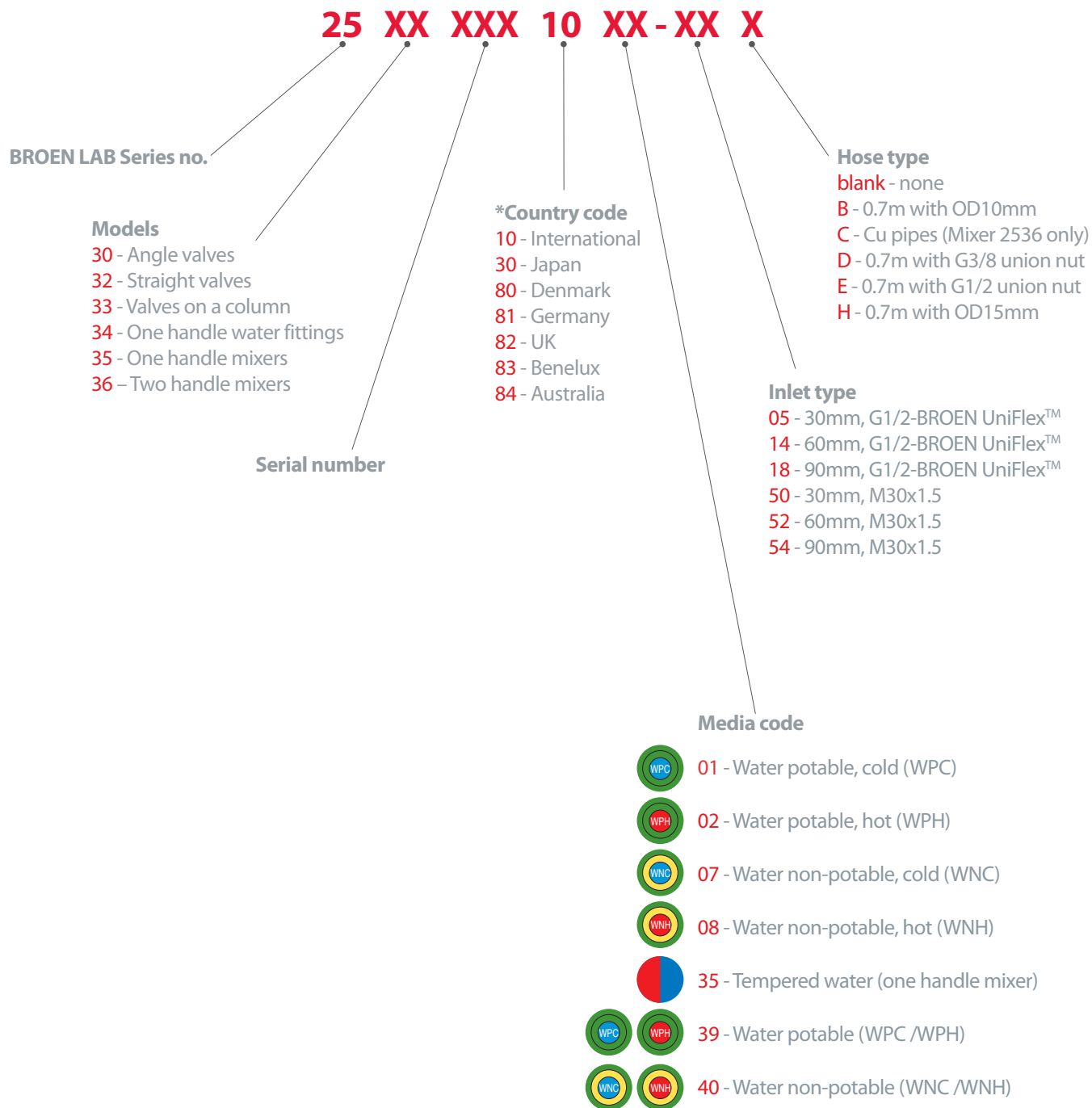
For more information, please contact your local BROEN LAB representative, or refer to [www.BROEN.com](http://www.BROEN.com).

BROEN UniFlex™ connection fittings and adaptors for Cu, Stainless Steel and PEX pipes



Generally, item number for BROEN UniFlex fittings has the following structure:

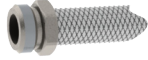
**BROEN UNIFLEX™ FITTINGS FOR WATER**



\* For water some national standards may apply, therefore contact your BROEN LAB representative for more information.

**INLET CONNECTIONS**  
 93 V XX XX XXXX

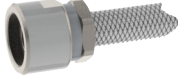
3/8" fixed connection (Code 32)



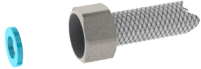
1/2" fixed connection (Code 31)



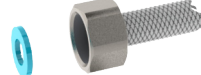
3/4" fixed connection (Code 33)



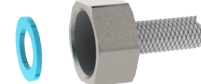
3/8" union connection (Code 41)



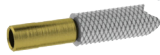
1/2" union connection (Code 40)



3/4" union connection (Code 42)



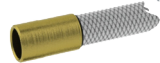
OD10mm connection (Code 10)



OD12mm connection (Code 12)



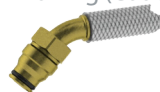
OD15mm connection (Code 15)



Straight BROEN UniFlex™ connection with EPDM o-ring (Code 20)



45° BROEN UniFlex™ connection with EPDM o-ring (Code 25)



90° BROEN UniFlex™ connection with EPDM o-ring (Code 30)



**OUTLET CONNECTIONS**  
 93 V XX XX XXXX

Straight BROEN UniFlex connection with EPDM o-ring (Code 20)



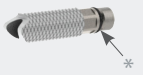
45° BROEN UniFlex connection with EPDM o-ring (Code 25)



90° BROEN UniFlex connection with EPDM o-ring (Code 30)



M10x1 mm short connection with EPDM o-ring (Code 51)

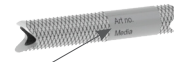


**PLEASE NOTE:**  
 M10 connections can only be used to mixer and multimedia fittings

\*All O-rings are lubricated with silicone based lubricant

**HOSE**  
 93 V XX XX XXXX

SPX hose with braiding in stainless steel



Marking for water with Part no. and Media indication

**HOSE LENGTHS**

Definition of length (L)



Definition of length (L)



If an 45° and 90°elbow occur on the same hose, it will as default be mounted in U-form

**Standard lengths of hoses (L):**

- 0500 = 500mm
- 0700 = 700mm
- 1000 = 1000mm
- 1200 = 1200mm
- 1500 = 1500mm
- 2000 = 2000mm
- 2500 = 2500mm
- 3000 = 3000mm

Length tolerance of hoses:  
 L = ≤400mm (- 0, +10mm)  
 L = 401mm to 1000mm (- 0, + 20mm)  
 L = >1000mm (- 0, + 30mm)

**SPECIFICATIONS**

- Inner hose material:** SPX (soft PEX)
- Braiding:** Stainless steel with one green stripe
- Hose materials with media contact:** PEX, brass, EPDM and silicone based lubricant
- Inside diameter:** 8.2mm
- Outside diameter:** 12mm
- Max. working pressure:** 10 bar
- Max. working temperature:** 90°C
- Max. bending radius (inner):** 40mm
- Min. length with connections:** 160mm

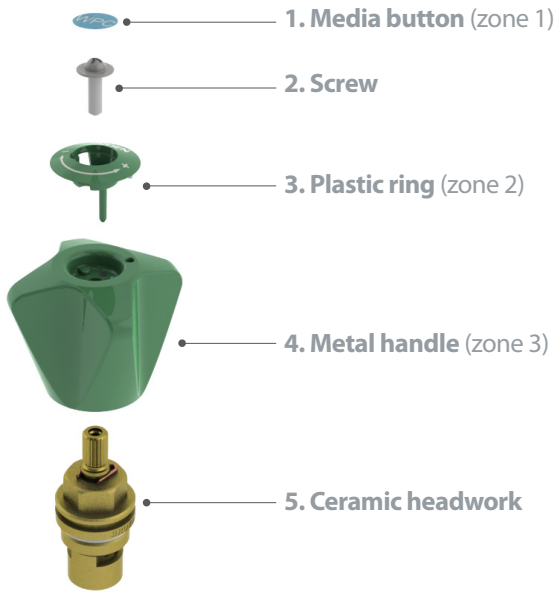
**EXAMPLE OF HOSE CONFIGURATION**

1200mm hose with OD 12mm inlet connection and straight UniFlex™ outlet connection



**93V12201200**

**ORDERING INFORMATION**



**Complete set with ceramic headwork, metal handle and media indication**  
No. 19 850.009

- 1. Media button**  
No. 1915710 (WPC)  
No. 1915711 (WPH)  
No. 1915744 (WNH)  
No. 1915745 (WNC)

**2. Screw**  
No. 97G0033

**3. Plastic ring**  
No. 1915704-4059 (yellow)  
No. 1915704-5168 (green)

**4. Metal handle**  
No. 1916701G-5168 (green)

**5. Ceramic headwork**  
No. 1976000

**SPECIFICATIONS**

BROEN UniFlex™ water fittings with metal handles are delivered with ceramic headworks.

Water fittings with ceramic headwork offer quick and precise adjustment and a long service life.

**Opening/closing function:** 1 x 180° turn

**Media:** Hot/cold water

**Temperature range:** Maximum 90°C

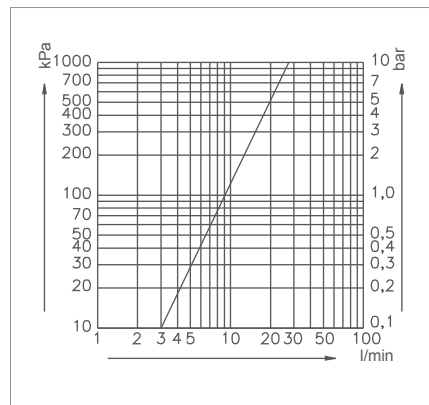
**Max. working pressure:** 10 bar / 147 psi

**Test pressure:** 1 x working pressure

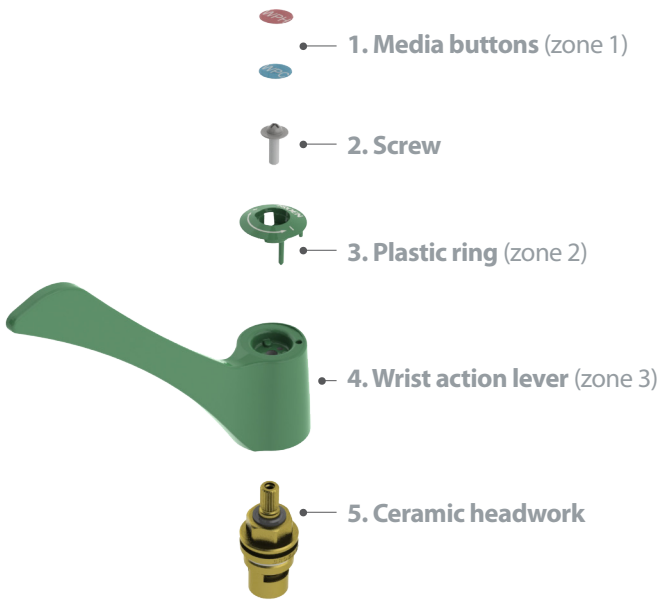
**MATERIALS WITH MEDIA CONTACT**

- Metals:** Brass
- Sealing:** EPDM
- Plastics:** POM
- Lubricant:** Silicone based
- Ceramics:** Al-oxyd 96%

**FLOW CHART**



**ORDERING INFORMATION**



Complete set with ceramic headwork, metal handle and media indications WPC and WPH:

**LEFT TURN CLOSING**

No. 19 164.289

**RIGHT TURN CLOSING**

No. 19 164.299

**1. Media buttons**

- No. 1915710 (WPC)
- No. 1915711 (WPH)
- No. 1915744 (WNH)
- No. 1915745 (WNC)

**2. Screw**

No. 97G0033

**3. Plastic ring**

- No. 1915705-4059 (yellow)
- No. 1915705-5168 (green)

**3. Plastic ring**

- No. 1915704-4059 (yellow)
- No. 1915704-5168 (green)

**4. Wrist action lever (zone 3)**

No. 1916433G-5168 (green)

**5. Ceramic headwork**

No. 1976400

**5. Ceramic headwork**

No. 1976500

**SPECIFICATIONS**

BROEN UniFlex™ water fittings based on ceramic headwork are available with wrist action lever.

**Opening/closing function:** 90° turn

**Media:** Hot/cold water

**Temperature range:** Maximum 90°C

**Max. working pressure:** 10 bar / 147 psi

**Test pressure:** 1 x working pressure

**MATERIALS WITH MEDIA CONTACT**

**Metals:** Brass

**Sealing:** EPDM

**Plastics:** POM

**Lubricant:** Silicone based

**Ceramics:** Al-oxyd 96%

**FLOW CHART**

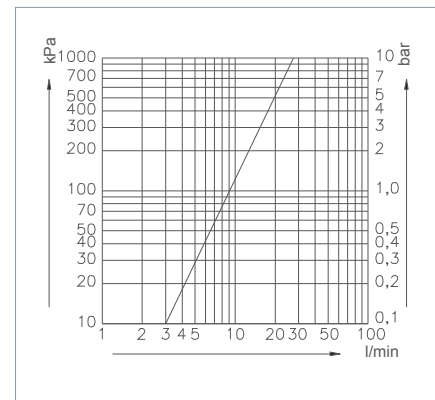


Illustration	Description	BROEN item No.
	Adaptor for aerator	2539 005 1001
	Aerator	2539 006 1001
	Adaptor for removable metal nozzle	2539 007 1001
	Removable metal nozzle	2539 008 1001
	Fixed metal nozzle	2539 009 1001
	Mounting set for G1/2 connection	19141000
	G1/2 inlet with female BROEN UniFlex™ connection (incl. O-ring)	L=30mm L=60mm L=90mm 1550233V 1527454V 1550246V
	Mounting set for M30x1,5 connection	19190000
	Threaded inlet pipe M30x1,5	L=30mm L=60mm L=90mm 1919003 1919002 1919004
	Vacuum pump for water fitting	19198009

For further information about BROENs other products please refer to following brochures:



Can be downloaded at [WWW.BROEN.COM](http://WWW.BROEN.COM)

BROEN LAB develops, manufactures and delivers complete fittings for professional laboratories. Our know-how and our quality products ensure the precise flow of water, gases and air, from source to user.

BROEN LAB solutions are used by professional users in many kinds of laboratories, from the education and health sectors to industry in general. Our products are already an integrated part of many workplaces. From fittings for purified water, nitrogen, vacuum and compressed air, to the control and regulation of pure gases in critical applications such as a gas chromatography and spectrometry.

Our extensive knowledge allows us to continually develop and optimize our products so that they meet customer needs and specifications. Safety, functionality and quality are an integral part of product design and flexibility. Our insight and understanding of working environments and safety in laboratories allow us to develop custom solutions for projects around the world. Use us to plan your project so we can advise you on laboratory layout and design.

**Head Office: BROEN LAB GROUP**

Skovvej 30 • DK-5610 Assens  
Tel. +45 6471 2095 • Fax +45 6471 2476  
E-mail: lab@broen.com

BROEN Armaturen GmbH  
Industriestrasse 8 • D - 64579 Gernsheim  
Germany  
Tel. +49 6258 9319-0 • Fax +49 6258 51812  
E-mail: info@broen.de

BROEN VALVES Ltd.  
7, Cleton Street Business Park, Cleton Street  
Tipton • West Midlands DY4 7TR • U.K.  
Tel. +44 121 522 4515 • Fax +44 121 522 4535  
E-mail: broenvalves@broen.com

BROEN Singapore Pte. Ltd.  
10 Bukit Batok Crescent #10-02 • The Spire S(658079) • Singapore  
Tel: +65 6298 0662 • Fax: +65 6298 0468 • Mobil: +65 9749 7471  
E-mail: sales@broen.com.sg

[www.broen.com](http://www.broen.com)

03201 LUK BROEN UNIFLEX™ FITTINGS FOR WATER 1. Edition [www.luk-art.dk](http://www.luk-art.dk)

