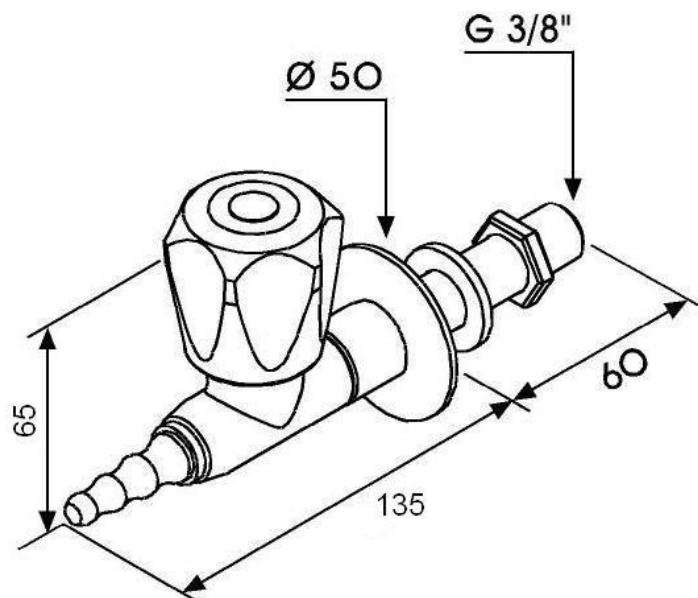


ARBOLES UK LTD



کد: 006851

شیر هوای زیرشلفی با اتصالات فابریک

TECHNICAL FEATURES

Media: Compressed Air

Maximum pressure: 10 bar

Fluid identification according to DIN-EN 13792: Blue - Blue - Yellow

Design according to DIN 12918-3

Nozzle according to DIN 12898

Body tap: Brass

Headwork: Brass, needle valve, PTFE / brass sealing

Handwheel: ABS

Anticorrosive coating: Poliamide plastic, light grey colour RAL 7035

www.parslab.com