

WATER

11321.1

90° CONNECTION NOZZLE

APPLICATION:

- Wall mounting

SURFACE PROTECTION:

- Epoxy powder coating RAL 7035

MATERIALS:

- Brass

CONNECTION TAP:

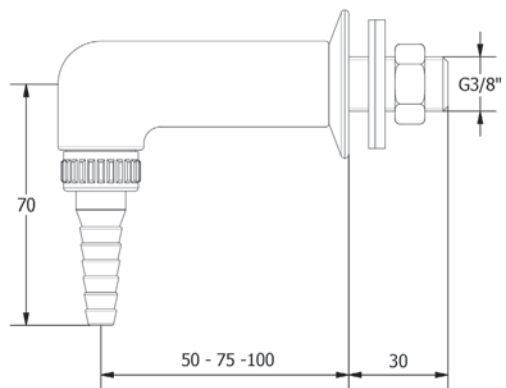
- Male thread G3/8" - G1/2"

STANDARD AND NORMS:

- EN13792:2000
- DIN12898
- DIN12918
- ISO228/1

OPTIONS:

- With chemical nickel plating 17 microns inside
- With flow-back prevention valve



WEIGHT:

- 458 gr

WARRANTY 2 YEARS